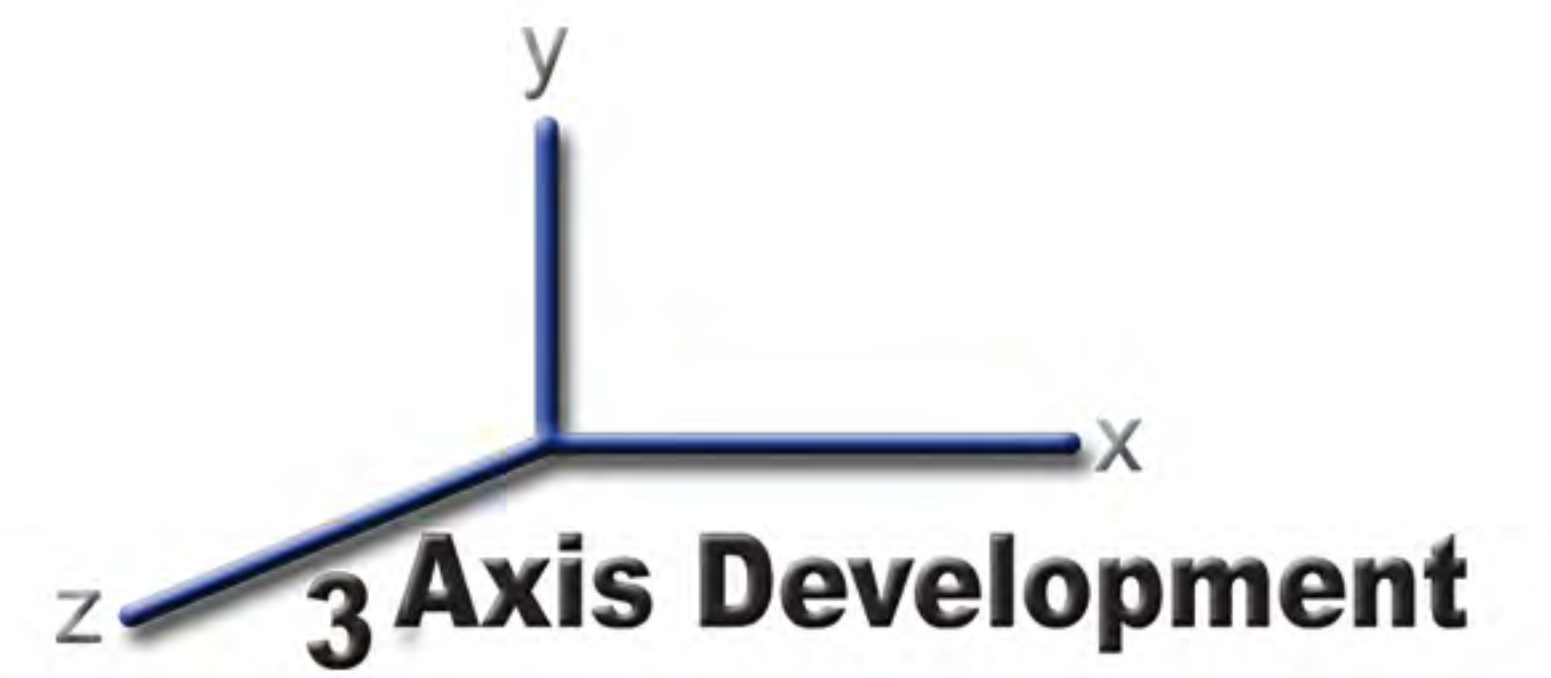
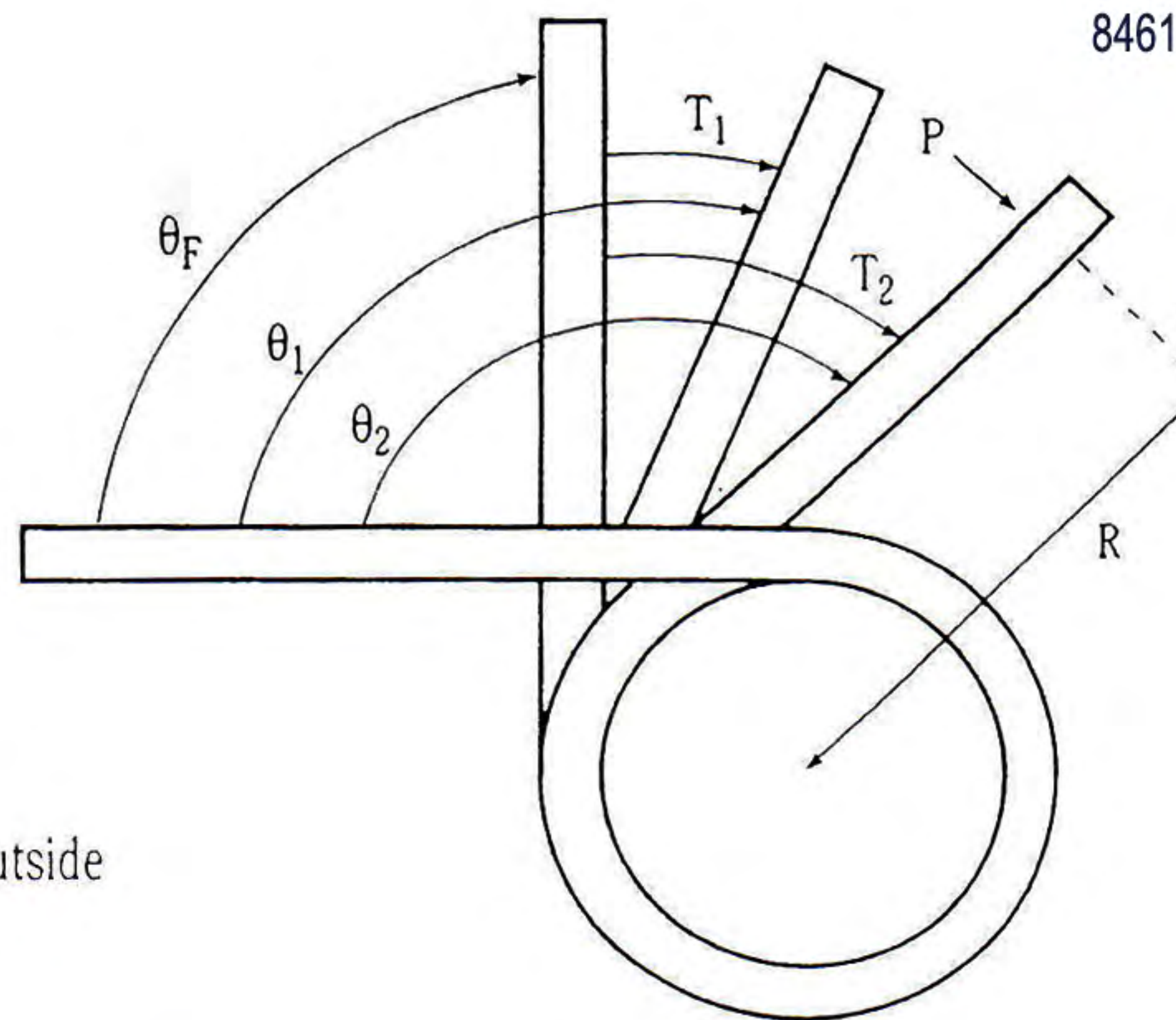
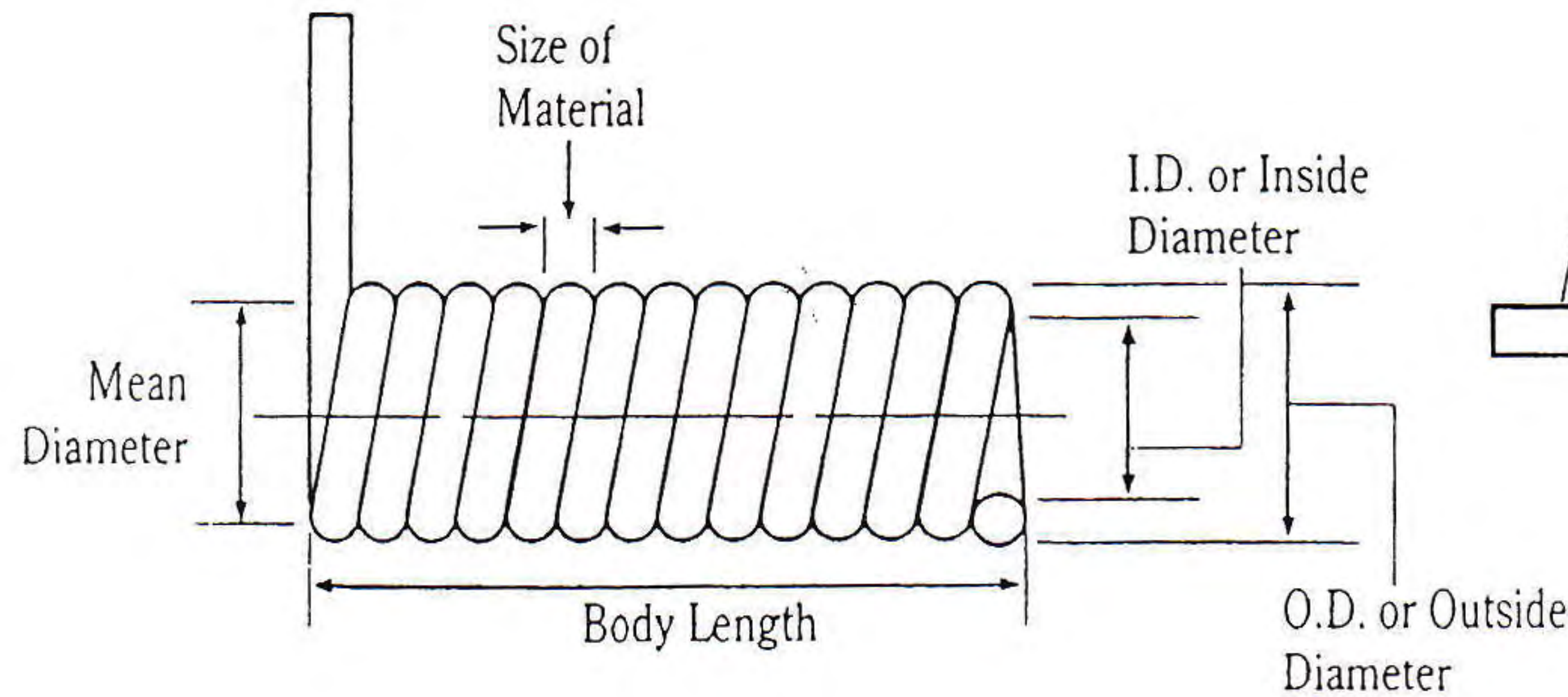


# Torsion Springs—Specification Form



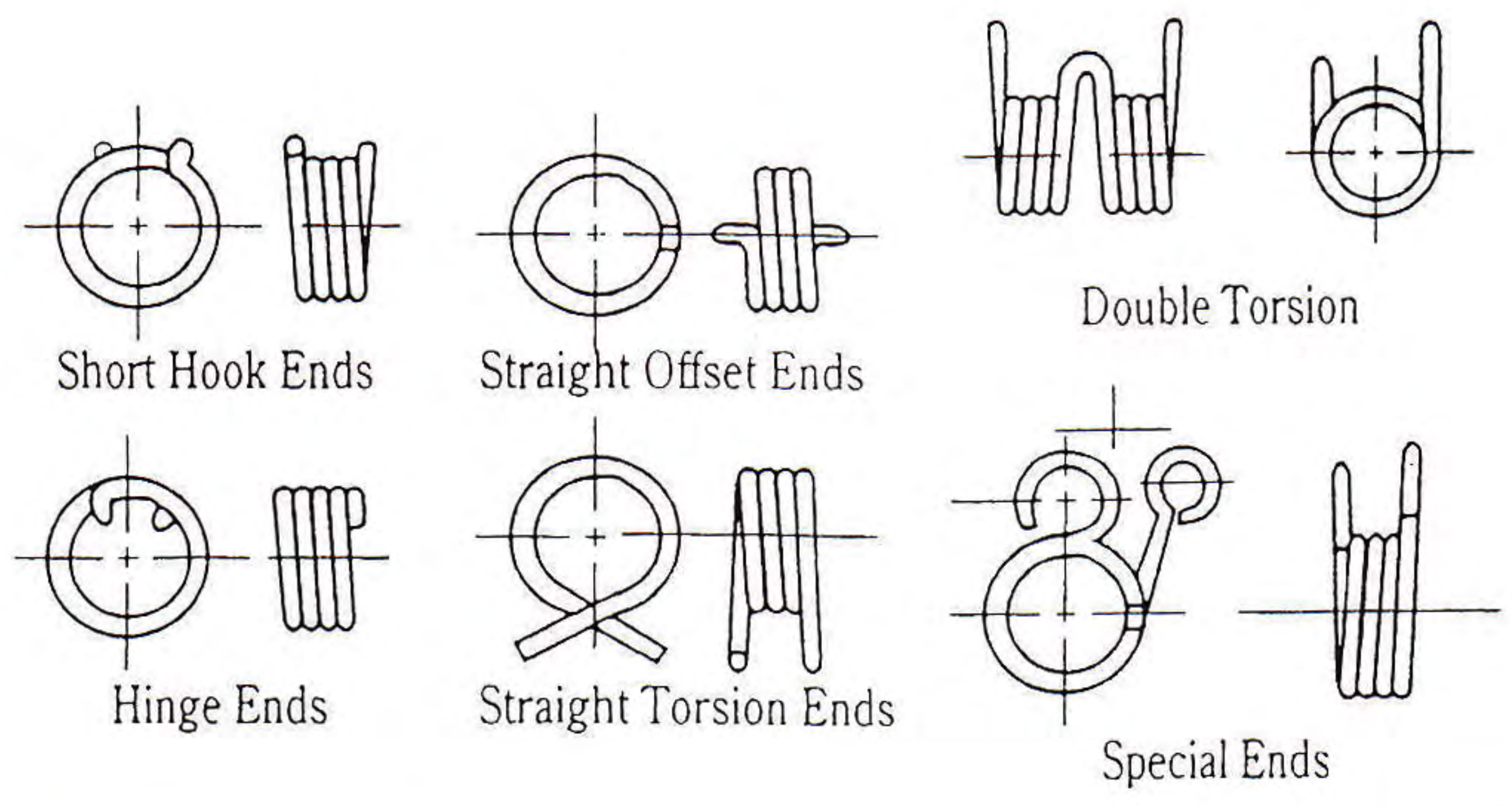
8461 Lake Worth RD, STE 212 • Lake Worth, FL 33467  
 www.3Axis.us • Charles@3axis.us  
 561-752-9095 • (Fax) 561-214-4014



## Mandatory Specifications

(fill in only those required)

1. To work over \_\_\_\_\_ in. (mm) dia. shaft.
2. OUTSIDE DIAMETER
  - a. \_\_\_\_\_ in. (mm) max. or
  - b. \_\_\_\_\_ in. (mm)  $\pm$  \_\_\_\_\_ in. (mm)
3. INSIDE DIAMETER
  - a. \_\_\_\_\_ in. (mm) min. or
  - b. \_\_\_\_\_ in. (mm)  $\pm$  \_\_\_\_\_ in. (mm)
4. Torque \_\_\_\_\_ lb. • in. (N • mm)  $\pm$  \_\_\_\_\_ lb. • in. (N • mm) at  $\theta_1 =$  \_\_\_\_\_ $^\circ$ .  
 Torque \_\_\_\_\_ lb. • in. (N • mm)  $\pm$  \_\_\_\_\_ lb. • in. (N • mm) at  $\theta_2 =$  \_\_\_\_\_ $^\circ$ .
5. Length of space available \_\_\_\_\_ in. (mm.)
6. Maximum wound position \_\_\_\_\_ turns or \_\_\_\_\_ $^\circ$  from free position.
7. Length of moment arm (R) \_\_\_\_\_ in. (mm)
8. Direction of helix (L, R, or optional). \_\_\_\_\_
9. Type of ends \_\_\_\_\_



## Advisory Data

1. Wire diameter \_\_\_\_\_ in. (mm)
2. Mean coil diameter \_\_\_\_\_ in. (mm)
3. No. of coils \_\_\_\_\_
4. Rate \_\_\_\_\_ lb.-in. (N • mm) per turn (360 $^\circ$ ).
5.  $\theta_F =$  \_\_\_\_\_ $^\circ$  free angle reference

## Special Information

1. Type of material \_\_\_\_\_
2. Finish \_\_\_\_\_
3. Frequency of rotation, \_\_\_\_\_ cycles/sec, and working range,  
 $\theta =$  \_\_\_\_\_ $^\circ$  to  $\theta =$  \_\_\_\_\_ $^\circ$  deflection.
4. Operating temp. \_\_\_\_\_ $^\circ$ F ( $^\circ$ C)
5. End use or application \_\_\_\_\_
6. Other \_\_\_\_\_